

Mini  
50G  
50GB

High Precision  
Cleaver



## The Most Efficient Mini Cleaver

Universal Holder

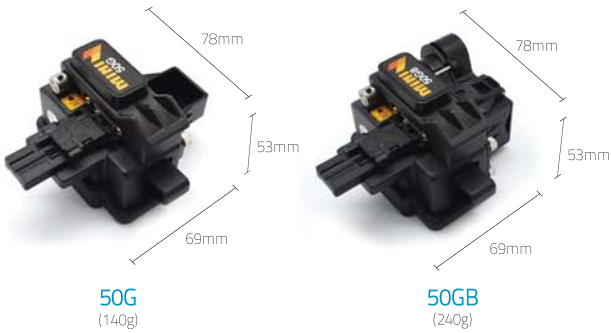
- 250 $\mu$ m, 900 $\mu$ m, 2~3 $\emptyset$ , Indoor

Blade Life-Span

-  $\leq 0.5^\circ$  : 48,000

# 01

## The Most Efficient Mini Cleaver



# 02 Excellent Performance



# 03

## Universal Holder

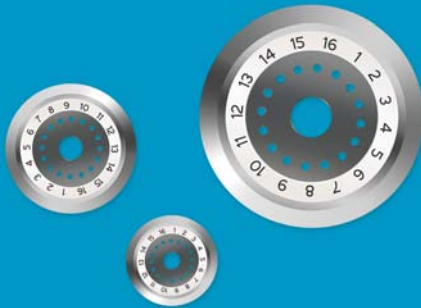
250 $\mu$ m  
900 $\mu$ m  
2~3 $\phi$   
Indoor



# 05

## Blade Life-Span

$\leq 0.5^\circ$  ; 48,000



# 04

Robust & Shock Resistant



# 06

Chip Collector (50GB)



## Specifications

Type	Single Fiber
Applicable Fiber	250 $\mu$ m, 900 $\mu$ m, $\Phi$ 2mm, $\Phi$ 3mm, Drop Cable
Clad Diameter	80~125 $\mu$ m
Length	8~20mm(single fiber)
Cleaving Angle	$\leq 0.5^\circ$
Lifespan of Blade	48,000 times
Operation Step	2 steps / Auto Pushback Slider Block
Holder	Universal Holder
Collector	Auto Collector (50GB)



Copyright © 2013 FiberFox, Inc. All rights reserved.  
(Kwang Yi B/D) 80, Dongseo-daero 179beon-gil, Yuseong-gu, Daejeon 305-320, Korea  
Tel : +82-42-716-7221 / Fax : +82-42-716-7223 / E-mail : sales@fiberfox.co.kr

www.fiberfox.co.kr